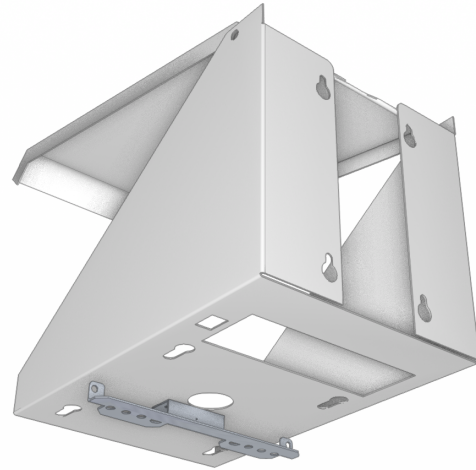
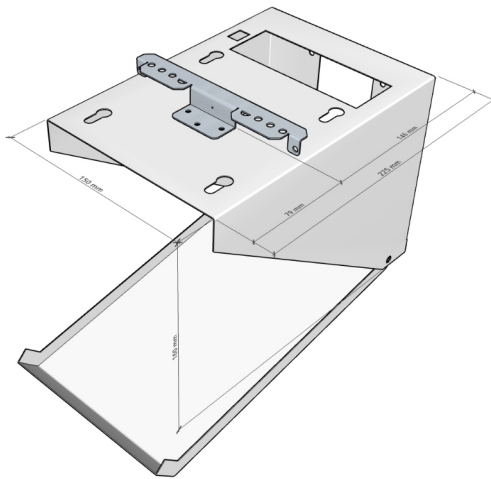


CM-WALL-A-3

Horizontal Wall Mount Version 3 for Aruba Access Points
<https://wifighter.shop/en/CM-WALL-A-3>



Application

The horizontal wall mount allows access points to be installed horizontally on a vertical surface (e.g., walls). This enables optimal use of the AP's antenna characteristics and can be beneficial when ceilings are too high or cannot be used for mounting.

Benefits

- Allows horizontal mounting of access points on walls
- Clean, professional appearance suitable for visible and hygienically sensitive environments

Compatibility

- Compatible with Aruba access points of the 500, 600, and 700 series

Material, Color & Origin

- Powder-coated sheet metal (RAL 9010)
- Designed & made in Hamburg

Quick Guide

- Fasten the horizontal wall mount to the wall
- Insert the access point into the horizontal wall mount and secure it in place