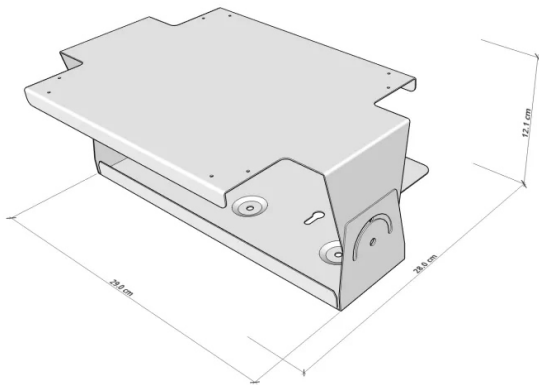


CM-APANT-A-3

Combined Mount for Aruba Access Points and Patch Antennas
<https://wifighter.shop/en/CM-APANT-A-3>



Application

The combined mount for Aruba Access Points and patch antennas enables space-saving installation of Aruba Access Points with external patch antennas on walls or ceilings.

Advantages

- Front mit Antenne schwenkbar ($\pm 15^\circ$ bis $\pm 30^\circ$)
- Montage an Wand oder Decke

Compatibility

- Compatible APs: 500 series, 600 series, 700 series
- Compatible antennas: AP-ANT-25A, AP-ANT-28, AP-ANT-35A, AP-ANT-38, AP-ANT-45, AP-ANT-48 as well as newer antennas with identical mounting-hole dimensions

Material, Color & Origin

- Powder-coated sheet metal (RAL 9010)
- Designed and made in Hamburg

Quick Guide

- Mount the combined unit to the wall or ceiling using screws
- Insert the access point into the mount using the Arubadaptor and lock it in place
- Install the antenna on the front plate and connect it to the AP
- Adjust the antenna angle